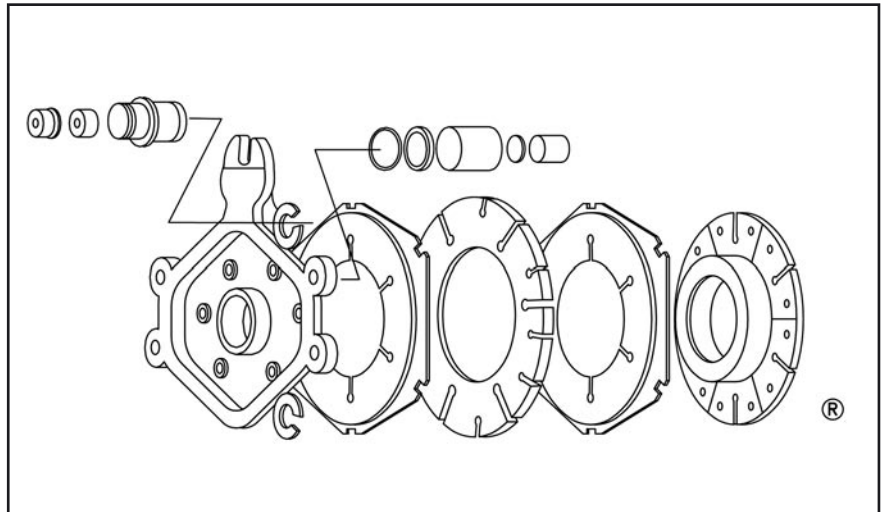


Aero Brake & Spares is a preferred manufacturer of FAA PMA wheel and brake hardware, specialising in products approved by the FAA, US Air Force, US Navy & US Coast Guard.

Established in 1989, and with a parts list that continues to grow, Aero Brake & Spares produces many specialised products for a large range of aircraft. Although not considered flight critical items, wheels and brakes are safety critical during take-off and landing.

Aero Brake & Spares takes the utmost care during the engineering evaluation of a new product – knowledge of aircraft product manufacturing processes and strict test and computation engineering is used when a product is analysed for reproduction. Many hours of testing are performed on OEM samples to determine all aspects of safety, quality and serviceability of a PMA product. By employing superior material and manufacturing processes, a PMA part can be improved beyond the original scope of use.



The aircraft industry needs PMAs to counter the OEMs' increase in pricing policy in a declining revenue producing market. OEMs will force more airline and independent wheel and brake MROs to adopt PMA products into their market strategy.

Aero Brake & Spares has enjoyed great success meeting its customers'

needs for quality, delivery and price. If Aero Brake & Spares does not have PMA on a part required by a customer, the company's product development team will begin the process of obtaining FAA-PMA on the part required.

Aero Brake & Spares is a proud member of the Modification and Replacement Parts Association (MARPA).

Save money without sacrificing quality!



AERO BRAKE & SPARES, INC.

Preferred manufacturer of FAA-PMA wheel & brake hardware

www.aerobrake.com

sales@aerobrake.com

Tel 001-210-493-3201

Fax 001-210-493-1526

THE RIGHT SUPPLIER FOR YOUR FACILITY, NOT THE ONLY SUPPLIER